



# INSPIRE-5Gplus

## 5G+ Security News

Issue 8 / March 2022

### Editorial

Dear reader,

INSPIRE-5Gplus has significantly progressed its work in the last three months, as you can read in this edition of our newsletter, which covers the period from January to March 2022.

In the Results section, we would like to draw your attention to our novel authentication solution for shared objects and our latest deliverable about the new breed of 5G security enablers (D3.3).

In the Events section, we are proud to announce the SecSoft Cyber-Security Workshop on 1st July 2022, for which the Call for Papers closed in February.

If you would like to stay up-to-date with our activities and results, we recommend to follow us on Twitter where we regularly post under [@INSPIRE\\_5Gplus](#). In addition, you could also regularly check the [News section](#) on our project website.

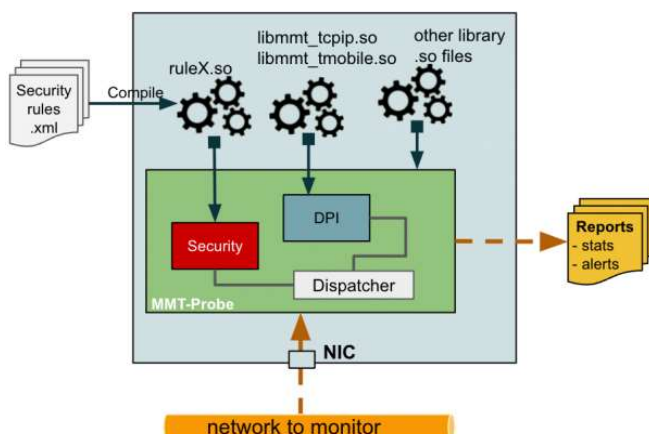
We hope you find the information in our newsletter interesting and valuable, and we look forward to any questions or comments you may have.

Kind regards,

The INSPIRE-5Gplus Team

---

### Results



Novel authentication solution for shared objects developed in INSPIRE-5Gplus

INSPIRE-5Gplus partners Montimage and Tages have developed a novel authentication solution for shared objects, which addresses a

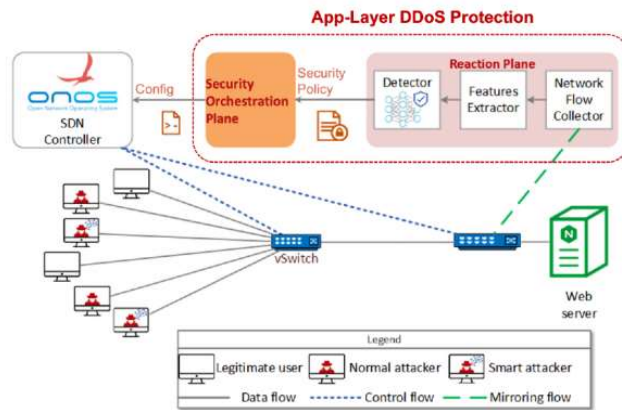
critical security challenge – the need to authenticate shared objects before loading them. This solution is based on Montimage Virtual Security Function MMT-Probe and Tages Systemic SECaaS. Building blocks of the novel authentication solution Montimage Virtual Security Function MMT-Probe is a network anomaly ...

[Read more.](#)

---

## 5G security new breed of enablers - INSPIRE-5Gplus deliverable D3.3

INSPIRE-5Gplus deliverable D3.3 - 5G security new breed of enablers - presents the set of AI/ML driven enablers developed by the INSPIRE-5Gplus project. INSPIRE-5Gplus has focused on main security use cases and integration aspects of AI/ML for cognitive security functions in 5G and Beyond 5G networks. They include detection and mitigation, data support for cognitive security, robust AI/ML, and the ...



[Read more.](#)



## INSPIRE-5Gplus article in Spanish national newspaper El Mundo

An interview with team members from INSPIRE-5Gplus partner University of Murcia was published in the Spanish national newspaper El Mundo on 3rd

March 2022. In this article, the principal aims of INSPIRE-5Gplus are discussed as well as their implications for the further development of 5G and beyond systems. The interview focused on present and future cybersecurity concerns in 5G architectures ...

[Read more.](#)

---

## Events



## SecSoft Cyber- Security Workshop 2022

The 4th International Workshop on Cyber-Security in Software-defined and Virtualized Infrastructures (SecSoft) on 1st July 2022 is a joint initiative by the Horizon 2020 EU projects GUARD, RAINBOW,

SIMARGL, PALANTIR, INSPIRE-5Gplus, and SIFIS-HOME to create a dialogue about emerging cyber-security paradigms for virtualized environments and critical infrastructures. Scope Evolving business models are progressively reshaping ICT services and infrastructures, with a ...

[Read more.](#)



© 2022 INSPIRE-5Gplus Project Consortium. All rights reserved | Editor and responsible according to German law: Milon Gupta, Eurescom GmbH, Wieblinger Weg 19/4, 69123 Heidelberg, Germany, phone: +49 62219890, e-mail: [contact@inspire-5gplus.eu](mailto:contact@inspire-5gplus.eu)

This project has received funding from the European Horizon 2020 Programme for research, technological development and demonstration under grant agreement n° 871808 - INSPIRE-5G-plus.